



SKANSKA WHESSOE

Project : DYNAMIC ENGINEERING SIMULATOR

Objective : Process Design & Control Studies

Project location : LNG Terminal - Isle of Grain, south of London, United Kingdom

Customer: NATIONAL GRID TRANSCO

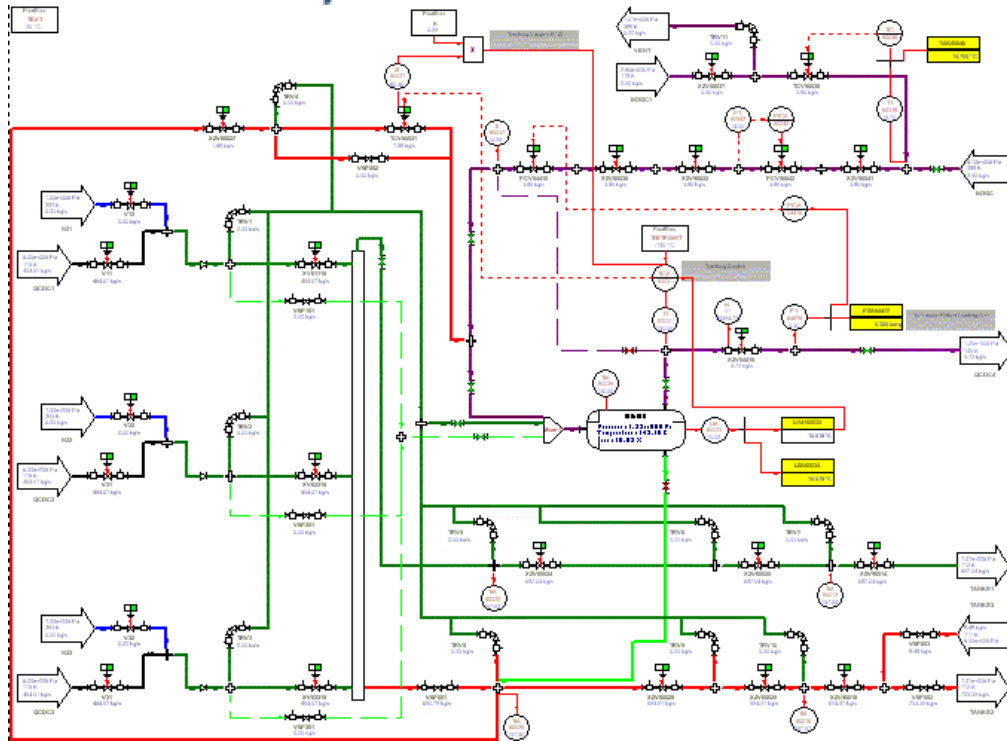
Project context : Conversion of an existing natural gas storage terminal for importation of natural gas (3-million-tonne-per-year)

Scope of the engineering simulator: Custom model based on a typical LNG Terminal

- Jetty KO drum
- Unloading arms
- Discharge of the boil off-gas compressor
- Discharge of the export LNG export pumps
- Recirculation line
- Vapour Return Loading arm
- Storage Tanks

Simulator objectives

- Check control validity
- Determine KO Drum volume
- Validate ESD procedures



SKANSKA WHESSOE construction interface